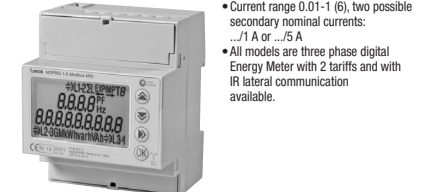


Three-phase Digital Energy Meter CT connected (.../5 A or .../1 A)

The Energy Meter provides all relevant measures for the evaluation of an electrical network: L, U, PF, F, THD%, Powers (displayed for each phase and 3-phase) and Imported/Exported Active/Reactive Energies.



The built-in communication depends on the model: ECSPM67MID M3PRO 1-5 MID 2 SD Pulse outputs MID certified

RISK OF ELECTRIC SHOCK, BURNS OR EXPLOSION This device must be installed and maintained ONLY by qualified and duly authorized personnel.

Frontal of the Energy Meters. Partial 8888.88 PF THD% 8888.888888 Hz 8888.888888 kWh var/h VA => 3L34

Device Switch-on. When the device is switched on, the firmware version and the model appear on the display for one second.

Display Back light. If no button is pushed for 40 seconds, the display goes back to the Main Page and the backlight is switched off.

Main Energy Page. Main Page showing three-phase active energy registers: L1 29334 kWh, L2 793200 kWh, L3 156 kWh.

Selecting values at secondary side. After a long press (5 seconds) on OK button in the Main Page, for 120 seconds the whole set of parameters displayed and transmitted through bus, are referred to Secondary Side of CTs.

Main Menu. Three Phase Energies List. Main Page showing active imported energy tariff T1 with partial register.

Main Menu. Active Imported Energy tariff T1 with partial register. Main Page showing active imported energy tariff T1 with partial register.

Main Menu. Active Imported Energy tariff T2 with partial register. Main Page showing active imported energy tariff T2 with partial register.

Main Menu. Active Imported Energy tariff T1 with partial register. Main Page showing active imported energy tariff T1 with partial register.

Main Menu. Active Imported Energy tariff T1 with partial register. Main Page showing active imported energy tariff T1 with partial register.

Main Menu. Active Imported Energy tariff T1 with partial register. Main Page showing active imported energy tariff T1 with partial register.

Main Menu. Active Imported Energy tariff T1 with partial register. Main Page showing active imported energy tariff T1 with partial register.

Main Menu. Active Imported Energy tariff T1 with partial register. Main Page showing active imported energy tariff T1 with partial register.

Main Menu. Active Imported Energy tariff T1 with partial register. Main Page showing active imported energy tariff T1 with partial register.

Main Menu. Active Imported Energy tariff T1 with partial register. Main Page showing active imported energy tariff T1 with partial register.

Main Menu. Active Imported Energy tariff T1 with partial register. Main Page showing active imported energy tariff T1 with partial register.

Main Menu. Active Imported Energy tariff T1 with partial register. Main Page showing active imported energy tariff T1 with partial register.

Main Menu. Active Imported Energy tariff T1 with partial register. Main Page showing active imported energy tariff T1 with partial register.

Main Menu. Active Imported Energy tariff T1 with partial register. Main Page showing active imported energy tariff T1 with partial register.

Main Menu. Active Imported Energy tariff T1 with partial register. Main Page showing active imported energy tariff T1 with partial register.

Main Menu. Active Imported Energy tariff T1 with partial register. Main Page showing active imported energy tariff T1 with partial register.

Main Menu. Active Imported Energy tariff T1 with partial register. Main Page showing active imported energy tariff T1 with partial register.

Main Menu. Active Imported Energy tariff T1 with partial register. Main Page showing active imported energy tariff T1 with partial register.

Main Menu. Active Imported Energy tariff T1 with partial register. Main Page showing active imported energy tariff T1 with partial register.

Main Menu. Active Imported Energy tariff T1 with partial register. Main Page showing active imported energy tariff T1 with partial register.

Main Menu. Active Imported Energy tariff T1 with partial register. Main Page showing active imported energy tariff T1 with partial register.

Main Menu. Active Imported Energy tariff T1 with partial register. Main Page showing active imported energy tariff T1 with partial register.

Main Menu. Active Imported Energy tariff T1 with partial register. Main Page showing active imported energy tariff T1 with partial register.

Main Menu. Active Imported Energy tariff T1 with partial register. Main Page showing active imported energy tariff T1 with partial register.

Main Menu. Active Imported Energy tariff T1 with partial register. Main Page showing active imported energy tariff T1 with partial register.

Main Menu. Active Imported Energy tariff T1 with partial register. Main Page showing active imported energy tariff T1 with partial register.

Main Menu. Active Imported Energy tariff T1 with partial register. Main Page showing active imported energy tariff T1 with partial register.

Main Menu. Active Imported Energy tariff T1 with partial register. Main Page showing active imported energy tariff T1 with partial register.

Main Menu. Active Imported Energy tariff T1 with partial register. Main Page showing active imported energy tariff T1 with partial register.

Main Menu. Active Imported Energy tariff T1 with partial register. Main Page showing active imported energy tariff T1 with partial register.

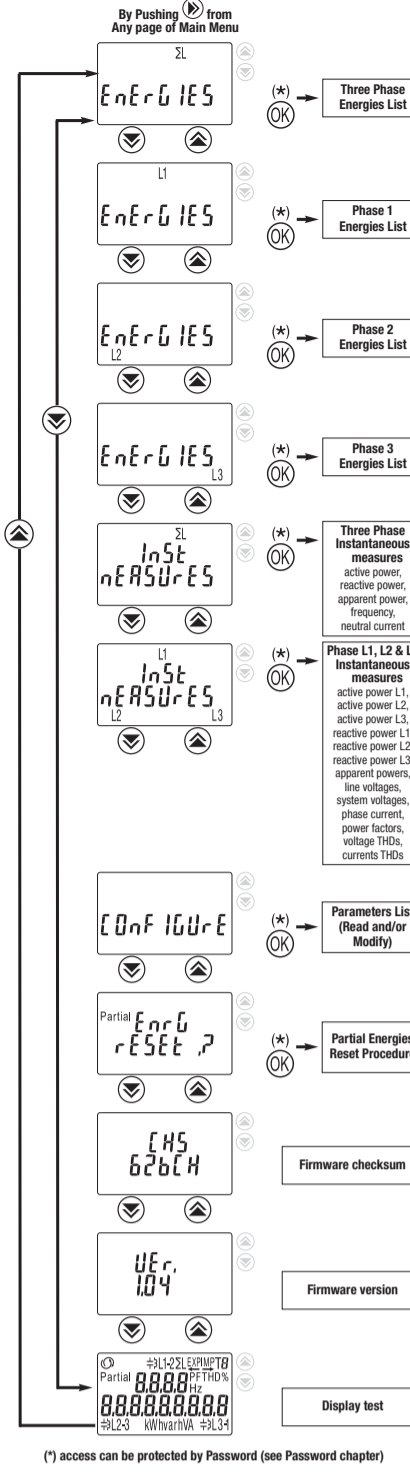
Main Menu. Active Imported Energy tariff T1 with partial register. Main Page showing active imported energy tariff T1 with partial register.

Main Menu. Active Imported Energy tariff T1 with partial register. Main Page showing active imported energy tariff T1 with partial register.

Main Menu. Active Imported Energy tariff T1 with partial register. Main Page showing active imported energy tariff T1 with partial register.

Main Menu. Active Imported Energy tariff T1 with partial register. Main Page showing active imported energy tariff T1 with partial register.

Selection Menu



(*) access can be protected by Password (see Password chapter)

Parameters List. External CT related parameters. External CT Primary nominal current.

Parameters List. External CT Secondary nominal current. External CT Secondary nominal current.

Parameters List. Password Enabled/Disabled. Password Enabled/Disabled.

Parameters List. Parameters in S0 model. Pulse per kWh.

Parameters List. Pulse time length. Duration of ON pulse for S0 outputs.

Parameters List. S0 outputs configuration mode. In - Out.

Parameters List. Act-React. S01 proportional to Imported Active Power.

Parameters List. TARI-TAR2. S01 proportional to Imported Active Power under T1.

Parameters List. Password Enabled/Disabled. Password Enabled/Disabled.

Parameters List. Parameters in models with Modbus on-board. Modbus Address.

Parameters List. Modbus Baud Rate. Available Baud Rates are: 1200, 2400, 4800, 9600, 19200 and 38400.

Parameters List. Modbus Parity. Available Parity are None, Even and Odd.

Parameters List. Modbus Number of Stop Bits (1 or 2). The default number of Stop Bits is 1.

Parameters List. Password Enabled/Disabled. Password Enabled/Disabled.

Parameters List. Password Enabled/Disabled. Password Enabled/Disabled.

Parameters List. Password Enabled/Disabled. Password Enabled/Disabled.

Parameters List. Password Enabled/Disabled. Password Enabled/Disabled.

Parameters List. Password Enabled/Disabled. Password Enabled/Disabled.

Parameters List. Password Enabled/Disabled. Password Enabled/Disabled.

Parameters List. Password Enabled/Disabled. Password Enabled/Disabled.

Parameters List. Password Enabled/Disabled. Password Enabled/Disabled.

Parameters List. Password Enabled/Disabled. Password Enabled/Disabled.

Parameters List. Password Enabled/Disabled. Password Enabled/Disabled.

Parameters List. Password Enabled/Disabled. Password Enabled/Disabled.

Parameters List. Password Enabled/Disabled. Password Enabled/Disabled.

Parameters List. Password Enabled/Disabled. Password Enabled/Disabled.

Parameters List. Password Enabled/Disabled. Password Enabled/Disabled.

Parameters List. Password Enabled/Disabled. Password Enabled/Disabled.

Parameters List. Password Enabled/Disabled. Password Enabled/Disabled.

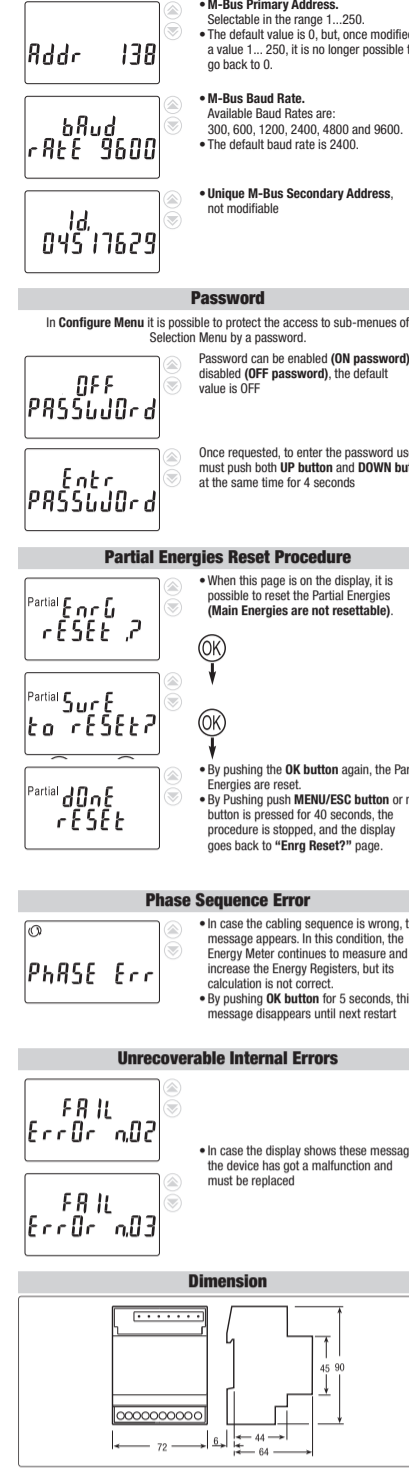
Parameters List. Password Enabled/Disabled. Password Enabled/Disabled.

Parameters List. Password Enabled/Disabled. Password Enabled/Disabled.

Parameters List. Password Enabled/Disabled. Password Enabled/Disabled.

Parameters List. Password Enabled/Disabled. Password Enabled/Disabled.

Parameters in models with M-Bus on-board



Sealable terminal covers. Cable stripping length and max terminal screw torque.

Connectable IR Communication Modules. Cable stripping length and max terminal screw torque.

Connectable IR Communication Modules. Cable stripping length and max terminal screw torque.

Connectable IR Communication Modules. Cable stripping length and max terminal screw torque.

Connectable IR Communication Modules. Cable stripping length and max terminal screw torque.

Connectable IR Communication Modules. Cable stripping length and max terminal screw torque.

Connectable IR Communication Modules. Cable stripping length and max terminal screw torque.

Connectable IR Communication Modules. Cable stripping length and max terminal screw torque.

Connectable IR Communication Modules. Cable stripping length and max terminal screw torque.

Connectable IR Communication Modules. Cable stripping length and max terminal screw torque.

Connectable IR Communication Modules. Cable stripping length and max terminal screw torque.

Connectable IR Communication Modules. Cable stripping length and max terminal screw torque.

Connectable IR Communication Modules. Cable stripping length and max terminal screw torque.

Connectable IR Communication Modules. Cable stripping length and max terminal screw torque.

Connectable IR Communication Modules. Cable stripping length and max terminal screw torque.

Connectable IR Communication Modules. Cable stripping length and max terminal screw torque.

Connectable IR Communication Modules. Cable stripping length and max terminal screw torque.

Connectable IR Communication Modules. Cable stripping length and max terminal screw torque.

Connectable IR Communication Modules. Cable stripping length and max terminal screw torque.

Connectable IR Communication Modules. Cable stripping length and max terminal screw torque.

Connectable IR Communication Modules. Cable stripping length and max terminal screw torque.

Connectable IR Communication Modules. Cable stripping length and max terminal screw torque.

Connectable IR Communication Modules. Cable stripping length and max terminal screw torque.

Connectable IR Communication Modules. Cable stripping length and max terminal screw torque.

Connectable IR Communication Modules. Cable stripping length and max terminal screw torque.

Connectable IR Communication Modules. Cable stripping length and max terminal screw torque.

Connectable IR Communication Modules. Cable stripping length and max terminal screw torque.

Connectable IR Communication Modules. Cable stripping length and max terminal screw torque.

Connectable IR Communication Modules. Cable stripping length and max terminal screw torque.

Connectable IR Communication Modules. Cable stripping length and max terminal screw torque.

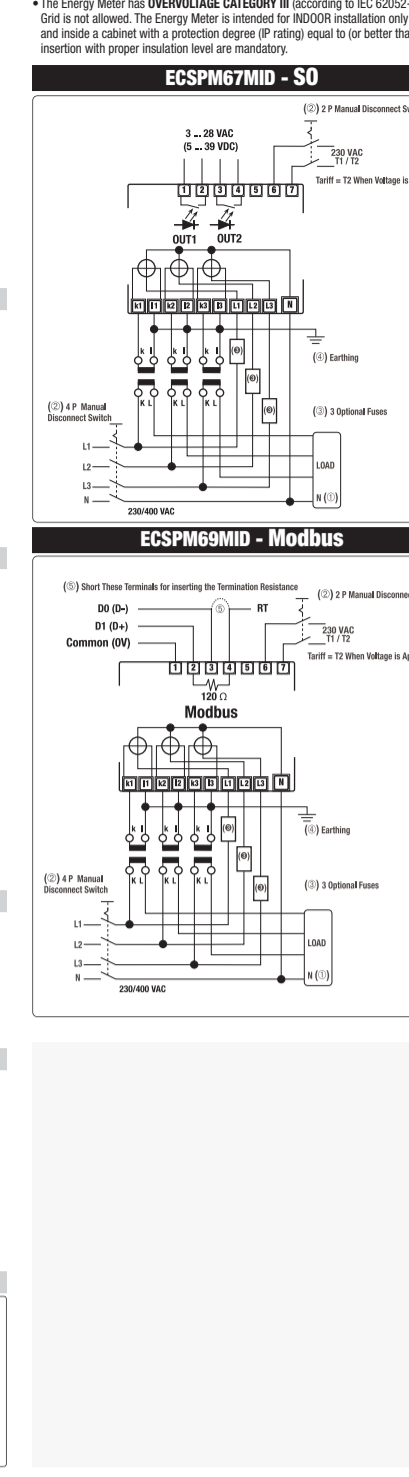
Connectable IR Communication Modules. Cable stripping length and max terminal screw torque.

Connectable IR Communication Modules. Cable stripping length and max terminal screw torque.

Connectable IR Communication Modules. Cable stripping length and max terminal screw torque.

Connectable IR Communication Modules. Cable stripping length and max terminal screw torque.

Wiring diagram



Technical Data. Data in compliance with CLC/TR 50679, EN 62059-32-1, EN 50470-1, EN 50470-3

Technical Data. General characteristics. Housing, Mounting, Depth, Weight.

Technical Data. Operating features. Storage of energy values and configuration, Internal FLASH memory.

Technical Data. Approval according to EN 50470-1, EN 50470-3. Type of connection, Reference Voltage Un.

Technical Data. Approval according to EN 50470-1, EN 50470-3. Reference Current (Iref), Minimum Current (Imin).

Technical Data. Approval according to EN 50470-1, EN 50470-3. Maximum Current (Imax), Starting Current (Ist).

Technical Data. Approval according to EN 50470-1, EN 50470-3. External CT, Reference Frequency (fn).

Technical Data. Approval according to EN 50470-1, EN 50470-3. Number of phases (number of wires), Certified Measures.

Technical Data. Approval according to EN 50470-1, EN 50470-3. Accuracy, Active Energies (accor. to EN 50470-3) and Active Powers.

Technical Data. Approval according to EN 50470-1, EN 50470-3. Operating Supply Voltage range, Maximum Power Dissipation (Voltage across).

Technical Data. Approval according to EN 50470-1, EN 50470-3. Maximum VA burden (Current across), Voltage Input waveform.

Technical Data. Approval according to EN 50470-1, EN 50470-3. Voltage, Continuous, phase/phase.

Technical Data. Approval according to EN 50470-1, EN 50470-3. Current, Phase/phase, phase/N.

Technical Data. Approval according to EN 50470-1, EN 50470-3. Measuring Features, Voltage range, Current range.

Technical Data. Approval according to EN 50470-1, EN 50470-3. Measuring Features, Frequency range, Measured Quantities.

Technical Data. Approval according to EN 50470-1, EN 50470-3. Measuring Features, Display type, Active energy - display, 9 digit - 2 tariffs.

Technical Data. Approval according to EN 50470-1, EN 50470-3. Measuring Features, Warnings/tariff indications, Safety.

Technical Data. Approval according to EN 50470-1, EN 50470-3. Measuring Features, Safety, Protective class, AC voltage test.

Technical Data. Approval according to EN 50470-1, EN 50470-3. Measuring Features, Safety, Degree of pollution, Operational voltage.

Technical Data. Approval according to EN 50470-1, EN 50470-3. Measuring Features, Safety, Impulse voltage test, Housing material flame resistance.

Technical Data. Approval according to EN 50470-1, EN 50470-3. Measuring Features, Safety, Safety-sealing between upper and lower housing part.

Technical Data. Approval according to EN 50470-1, EN 50470-3. Measuring Features, Safety, Pulse Outputs (S0 signals), Pulse Output 1.

Technical Data. Approval according to EN 50470-1, EN 50470-3. Measuring Features, Safety, Pulse Output 2, Pulse Rate.

Technical Data. Approval according to EN 50470-1, EN 50470-3. Measuring Features, Safety, Pulse ON-time, Operation Voltage.

Technical Data. Approval according to EN 50470-1, EN 50470-3. Measuring Features, Safety, Pulse OFF leakage current, Isolation class.

Technical Data. Approval according to EN 50470-1, EN 50470-3. Measuring Features, Safety, Embedded communication Modbus, Physical interface.

Technical Data. Approval according to EN 50470-1, EN 50470-3. Measuring Features, Safety, Embedded communication Modbus, Internal termination resistor.

Technical Data. Approval according to EN 50470-1, EN 50470-3. Measuring Features, Safety, Embedded communication Modbus, Baud rate.

Technical Data. Approval according to EN 50470-1, EN 50470-3. Measuring Features, Safety, Embedded communication Modbus, Parity.

Technical Data. Approval according to EN 50470-1, EN 50470-3. Measuring Features, Safety, Embedded communication Modbus, Stop Bit.

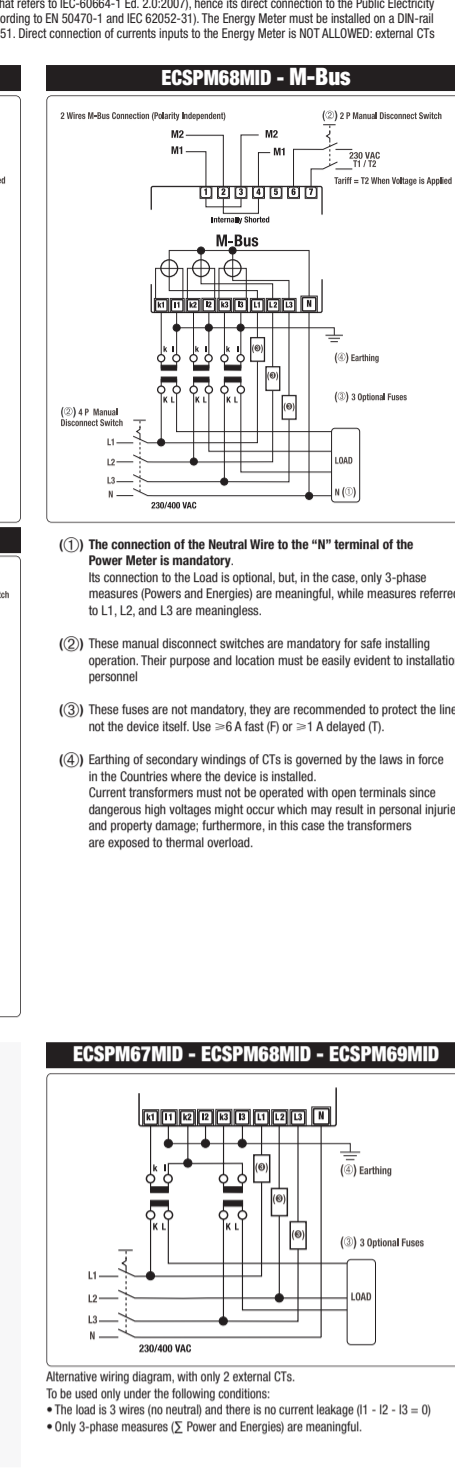
Technical Data. Approval according to EN 50470-1, EN 50470-3. Measuring Features, Safety, Embedded communication Modbus, Address.

Technical Data. Approval according to EN 50470-1, EN 50470-3. Measuring Features, Safety, Embedded communication Modbus, Isolation class.

Technical Data. Approval according to EN 50470-1, EN 50470-3. Measuring Features, Safety, Embedded communication M-Bus, Unit load.

Technical Data. Approval according to EN 50470-1, EN 50470-3. Measuring Features, Safety, Embedded communication M-Bus, Isolation class.

Wiring diagram



Technical Data. Data in compliance with CLC/TR 50679, EN 62059-32-1, EN 50470-1, EN 50470-3

Technical Data. General characteristics. Housing, Mounting, Depth, Weight.

Technical Data. Operating features. Storage of energy values and configuration, Internal FLASH memory.

Technical Data. Approval according to EN 50470-1, EN 50470-3. Type of connection, Reference Voltage Un.

Technical Data. Approval according to EN 50470-1, EN 50470-3. Reference Current (Iref), Minimum Current (Imin).

Technical Data. Approval according to EN 50470-1, EN 50470-3. Maximum Current (Imax), Starting Current (Ist).

Technical Data. Approval according to EN 50470-1, EN 50470-3. External CT, Reference Frequency (fn).

Technical Data. Approval according to EN 50470-1, EN 50470-3. Number of phases (number of wires), Certified Measures.

Technical Data. Approval according to EN 50470-1, EN 50470-3. Accuracy, Active Energies (accor. to EN 50470-3) and Active Powers.

Technical Data. Approval according to EN 50470-1, EN 50470-3. Operating Supply Voltage range, Maximum Power Dissipation (Voltage across).

Technical Data. Approval according to EN 50470-1, EN 50470-3. Maximum VA burden (Current across), Voltage Input waveform.

Technical Data. Approval according to EN 50470-1, EN 50470-3. Voltage, Continuous, phase/phase.

Technical Data. Approval according to EN 50470-1, EN 50470-3. Current, Phase/phase, phase/N.

Technical Data. Approval according to EN 50470-1, EN 50470-3. Measuring Features, Voltage range, Current range.

Technical Data. Approval according to EN 50470-1, EN 50470-3. Measuring Features, Frequency range, Measured Quantities.

Technical Data. Approval according to EN 50470-1, EN 50470-3. Measuring Features, Display type, Active energy - display, 9 digit - 2 tariffs.

Technical Data. Approval according to EN 50470-1, EN 50470-3. Measuring Features, Warnings/tariff indications, Safety.

Technical Data. Approval according to EN 50470-1, EN 50470-3. Measuring Features, Safety, Protective class, AC voltage test.

Technical Data. Approval according to EN 50470-1, EN 50470-3. Measuring Features, Safety, Degree of pollution, Operational voltage.

Technical Data. Approval according to EN 50470-1, EN 50470-3. Measuring Features, Safety, Impulse voltage test, Housing material flame resistance.

Technical Data. Approval according to EN 50470-1, EN 50470-3. Measuring Features, Safety, Safety-sealing between upper and lower housing part.

Technical Data. Approval according to EN 50470-1, EN 50470-3. Measuring Features, Safety, Pulse Outputs (S0 signals), Pulse Output 1.

Technical Data. Approval according to EN 50470-1, EN 50470-3. Measuring Features, Safety, Pulse Output 2, Pulse Rate.

Technical Data. Approval according to EN 50470-1, EN 50470-3. Measuring Features, Safety, Pulse ON-time, Operation Voltage.

Technical Data. Approval according to EN 50470-1, EN 50470-3. Measuring Features, Safety, Pulse OFF leakage current, Isolation class.

Technical Data. Approval according to EN 50470-1, EN 50470-3. Measuring Features, Safety, Embedded communication Modbus, Physical interface.

Technical Data. Approval according to EN 50470-1, EN 50470-3. Measuring Features, Safety, Embedded communication Modbus, Internal termination resistor.

Technical Data. Approval according to EN 50470-1, EN 50470-3. Measuring Features, Safety, Embedded communication Modbus, Baud rate.

Technical Data. Approval according to EN 50470-1, EN 50470-3. Measuring Features, Safety, Embedded communication Modbus, Parity.

Technical Data. Approval according to EN 50470-1, EN 50470-3. Measuring Features, Safety, Embedded communication Modbus, Stop Bit.

Technical Data. Approval according to EN 50470-1, EN 50470-3. Measuring Features, Safety, Embedded communication Modbus, Address.

Technical Data. Approval according to EN 50470-1, EN 50470-3. Measuring Features, Safety, Embedded communication Modbus, Isolation class.

Technical Data. Approval according to EN 50470-1, EN 50470-3. Measuring Features, Safety, Embedded communication M-Bus, Unit load.

Technical Data. Approval according to EN 50470-1, EN 50470-3. Measuring Features, Safety, Embedded communication M-Bus, Isolation class.

SECS M3PRO 1-5 MID ITALIANO

Contatore trifase statico di Energia Elettrica Insezione indiretta (TA esterni .../5 A o .../1 A)

Lo strumento fornisce tutte le misure significative per la valutazione di una rete elettrica trifase: I, U, PF, F, THD%, potenze (trifase e per ogni fase) ed energie importate/esportate, attive/reactive.



Il tipo di comunicazione integrata varia a seconda del modello: ECSPM67MID M3PRO 1-5 MID 2 uscite statiche S0 certificato MID

RISCHIO DI FOLGORAZIONE, USTIONI O ESPLOSIONE Questo strumento deve essere installato e mantenuto SOLO da personale qualificato e debitamente autorizzato.

Presentazione del prodotto. Tasto UP: per passare alla pagina successiva e per cambiare un parametro.

Accensione dello strumento. All'accensione dello strumento, per un secondo compariranno sullo schermo la versione firmware e il modello (Pagina Preliminare).

Retroluminazione. If no button is pushed for 40 seconds, the display goes back to the Main Page and the backlight is switched off.

Pagina Principale. Main Page showing three-phase active energy registers: L1 29334 kWh, L2 793200 kWh, L3 156 kWh.

Pagina Principale. Main Page showing active imported energy tariff T1 with partial register.

Pagina Principale. Main Page showing active imported energy tariff T2 with partial register.

Pagina Principale. Main Page showing active imported energy tariff T1 with partial register.

Pagina Principale. Main Page showing active imported energy tariff T1 with partial register.

Valori secondario



Menù di selezione. Qualsiasi pagina del Menu Principale.

Menù di selezione. Lista energie trifase.

Menù di selezione. Lista energie fase 1.

Menù di selezione. Lista energie fase 2.

Menù di selezione. Lista energie fase 3.

Menù di selezione. Misure istantanee trifase

